



[www.Trajansaw.com](http://www.Trajansaw.com)

## **Trajan 270**

European Style



Parts and Service Manual

Order Parts From

[www.BandSawParts.com](http://www.BandSawParts.com)

713-884-1101

**PARTS LIST****MODEL NO. 270V,,,"HM" AND "HB" SYSTEM**

CODE NO	PART NO	DESCRIPTION	SPECIFICATION	QTY
1	198005	Body Frame		1
2	198008	Anchor Block		1
2A	198151	Anchor Plate		1
2B	HT001	Round Head Screw	M5X10L	2
3	198024	Shaft		1
4	HS244	Hex. Socket Head Screw	M8X30L	3
5	198050	Anti-Chip Cover		2
6	CA32006A	Tapered Bearing	32006A	2
7	HW105	Spring Washer	M8	3
8	HS051	Hex. Head Screw	M8X45L	1
9	HN005	Hex. Nut	M8	1
10	198148M	Indication Plate		1
11	CA51203	Bearing	51203	1
12	198086	Knob		2
13	198051A	Blade Tension Handle		1
14	198093	Spring Washer	φID16.3Xφ31.5X1.8t	14
15	198026	Leadscrew		1
16	HN008	Hex. Nut	M16XP2	1
17	HS242	Hex. Socket Head Screw	M8X20L	3
18	198013	Fixed Block		1
19	HP022	Pin	φ5X40	2
20	198149M	Grip	M10X52L	1
21	198012M	Fixed Block		1
22	HS242	Hex. Socket Head Screw	M8X20L	2
23	HS423	Hex. Socker Headless Screw	M6X16L	8
25	198016M	Blade adjust stick		1
26	HS430	Hex. Socker Headless Screw	M8X10L	2
27	HS228	Hex. Socket Head Screw	M6X10L	1
28	198044	Connecting Tube		1
28	198044A	Connecting Tube		1
29	198075	Handle		1
29	198193A	Handle Cap		1
30	HW006	Washer	M10	1

**PARTS LIST****MODEL NO. 270V,,,"HM" AND "HB" SYSTEM**

CODE NO	PART NO	DESCRIPTION	SPECIFICATION	QTY
32	HT014	Round Head Screw	M6X30L	2
35	HS228	Hex. Socket Head Screw	M6X8L	2
38	198015A	Blade Adjust (Front)		1
39	HS432	Hex. Socker Headless Screw	M8X20L	2
40	HN005	Hex. Nut	M8XP1.25	2
41	198017	Guide		2
42	198018	Guide		2
43	198020	Eccentric Guide		2
44	CA608-2Z	Bearing	608-2RS	4
45	C100	C-Retainer Ring	φ8	4
46	198019	Eccentric Guide		2
47	HT003	Round Head Screw	M6X10L	1
48	198034M	Blade Cover (Front)		1
51	198152	Scale		1
52	HS421	Hex. Socker Headless Screw	M6X6L	2
53	HH005	Rivet	φ2X6	2
54	198014A	Blade Adjustable (Rear)		1
55	HS421	Hex. Socker Headless Screw	M6X6L	2
56	HT025	Hex. Socket Head Screw	M8X30L	2
58	198032AT	Blade Cover		1
60	HT019	Round Head Screw	M5X12L	2
63	HS262	Hex. Socket Head Screw	M10X40L	2
64	HS259	Hex. Socket Head Screw	M10X25L	2
65	198028	Frame Pivot Shaft		1
66	198048	Anti-Chip Cover		2
67	CA32007	Tapered Bearing	32007,62*35-18	2
71	MFC2039-1		1.5HP,3相,400V-4P,50Hz	1
71-1	HK114	Key	6X6X40L	1
72	HS034	Hex. Socket Head Screw	M6x20L	4
73	HW104	Spring Washer	M6	4
74S	198101BS	Reducer(2/4P)	1:40	1
75	HW106	Spring Washer	M10	4
76	HS258	Hex. Socket Head Screw	M10x20L	4

**PARTS LIST****MODEL NO. 270V,,,"HM" AND "HB" SYSTEM**

CODE NO	PART NO	DESCRIPTION	SPECIFICATION	QTY
77	198108M	Reducer Cover		1
78	HD607	Hose Fitting	φ8X1/4"PT	1
79	HS229	Hex. Socket Head Screw	M6X15L	2
80	198067	3 Way Valve		1
81	HD801	PU Tube	φ6x240L	1
82	HD803	Valve	1/8"(内外牙)	2
83	HD606	Hose Fitting	φ6X1/8"PT	4
84	HD802	PU Tube	φ6x800L	1
85	HS060	Hex. Socket Head Screw	M10X30L	1
86	198037	Prive Shaft Washer		1
87	HK091	Round Head Key	8X7X50	1
88	198023	Output Shaft		1
89	HK097	Round Head Key	8X7X25	1
90	CA62082RS	Bearing	6208-2RS	1
91	198069MH	Spring Bracket		1
91	198069M	Spring Bracket		1
92	198042M	Spring		2
92	198042M	Spring		1
92A	198171M	Bushing		2
92A	198171M	Bushing		1
93	HN006	Hex. Nut	M10	2
93	HN006	Hex. Nut	M10	1
93A	101008	Washer		2
93A	101008	Washer		1
94	HS274	Hex. Socket Head Screw	M10X110L	2
94	HS274	Hex. Socket Head Screw	M10X110L	1
96	198007	Idler Wheel		1
97	HW106	Spring Washer	M10	2
98	HS260	Hex. Socket Head Screw	M10x30L	2
99	HN105	Nut	AN06	1
100	198077	Blade	0.9X27X2450X5/8T	1
101	198006	Drive Wheel		1
102	198036	Drive Shaft Washer		1

## PARTS LIST

### MODEL NO. 270V,,,"HM" AND "HB" SYSTEM

CODE NO	PART NO	DESCRIPTION	SPECIFICATION	QTY
103	HS089	Hex. Head Screw	M12X30L	1
104	198030	Blade Back Cover		1
105	HS229	Hex. Socket Head Screw	M6X15L	4
106	HW104	Washer	M6	4
106-1	198189	Washer		1
107	HS521	Cross Round Head Screw	M5X20L	3
108	HD610	Hose Clip	φ8	3
109	HS241	Hex. Socket Head Screw	M8x15L	2
115	198079PM	Label	HB用	1
116	198074GA	Cover		1
117	HT005	Round Head Screw	M5x15L	2
120	198068	Spring Bracket		1
121	HW106	Spring Washer	M10	3
122	HS259	Hex. Socket Head Screw	M10X25L	3
165S	121059NS	Distance Set Rod Assembly		1
165-1	198057	Distance Set Bracket		1
165-2	HW005	Washer	M8	2
165-3	198088	Knob		2
165-4	198058	Stock Stop Rod		1
165-5	121059N	Distance Set Rod		1
165-6	HN010	Hex. Nut	M14xP1.5細牙	1
165-7	198087	Scale		1
165-8	HH001	Rivet	φ2	4
170	198052A	Handwheel		1
171	HP021	Pin	φ5X35	1
172	198039	Bearing Cover		1
173	CA3047	Bearing	φ30Xφ47X3.5	1
174	198009	Vise Handle		1
175	198040	Spring		1
176	198049	Bushing		1
178	HW016	Washer	φ6.5 *φ18-1.5	1
179	HS229	Hex. Socket Head Screw	M6x15L	1
180	198004	Vise Jaw Bracket(Front)		1

**PARTS LIST****MODEL NO. 270V,,,"HM" AND "HB" SYSTEM**

CODE NO	PART NO	DESCRIPTION	SPECIFICATION	QTY
181	198022	Vise		1
182	HD501	Hex. Socket Flat Head Screw	M6X12L	2
183	HS260	Hex. Socket Head Screw	M10X30L	2
184	HW106	Spring Washer	M10	2
185	198011	Vise		1
186	198003	Vise Jaw Bracket(Rear)		1
187	HS430	Hex. Socker Headless Screw	M8X10L	1
188	198021	Vise		1
189	HD509	Hex. Socket Head Screw	M6X15L	2
190	198025	Leadscrew A		1
191	HS432	Hex. Socker Headless Screw	M8X20L	1
193	HS319	Hex. Socket Head Screw	M6X110L	2
194	198002	Swivel Arm		1
195	HN006	Hex. Nut	M10	2
196	198043	Vise Jaw Adjustable Rod		1
197	HO0031	O-Retainer Ring	φ19.8Xφ2.4	1
198	HS063	Hex. Head Screw	M10X45L	2
199	CA32007	Bearing		1
200	198029	Bushing		1
201	HN106	Nut	AN07防鬆	1
202	198046	Bolt		1
202-1	HN006	Hex. Nut	M10-P1.5	1
204	HS229	Hex. Socket Head Screw	M6x15L	2
205	HW104	Spring Washer	M6	2
206	198097M	Cover		1
209	198071G	Control Box Base		1
209-1	103143	Value		1
209-2	103124A	Throttle Valve		1
209-4	HT001	Round Head Screw	M5X10L	6
214	198071GV	Lable for Name Plate		1
215S		Control Box		1.00
216	HB605	Hex Socket Plug	3/8"PT	1
216-1	198191	Washer	15*22-2.2	2

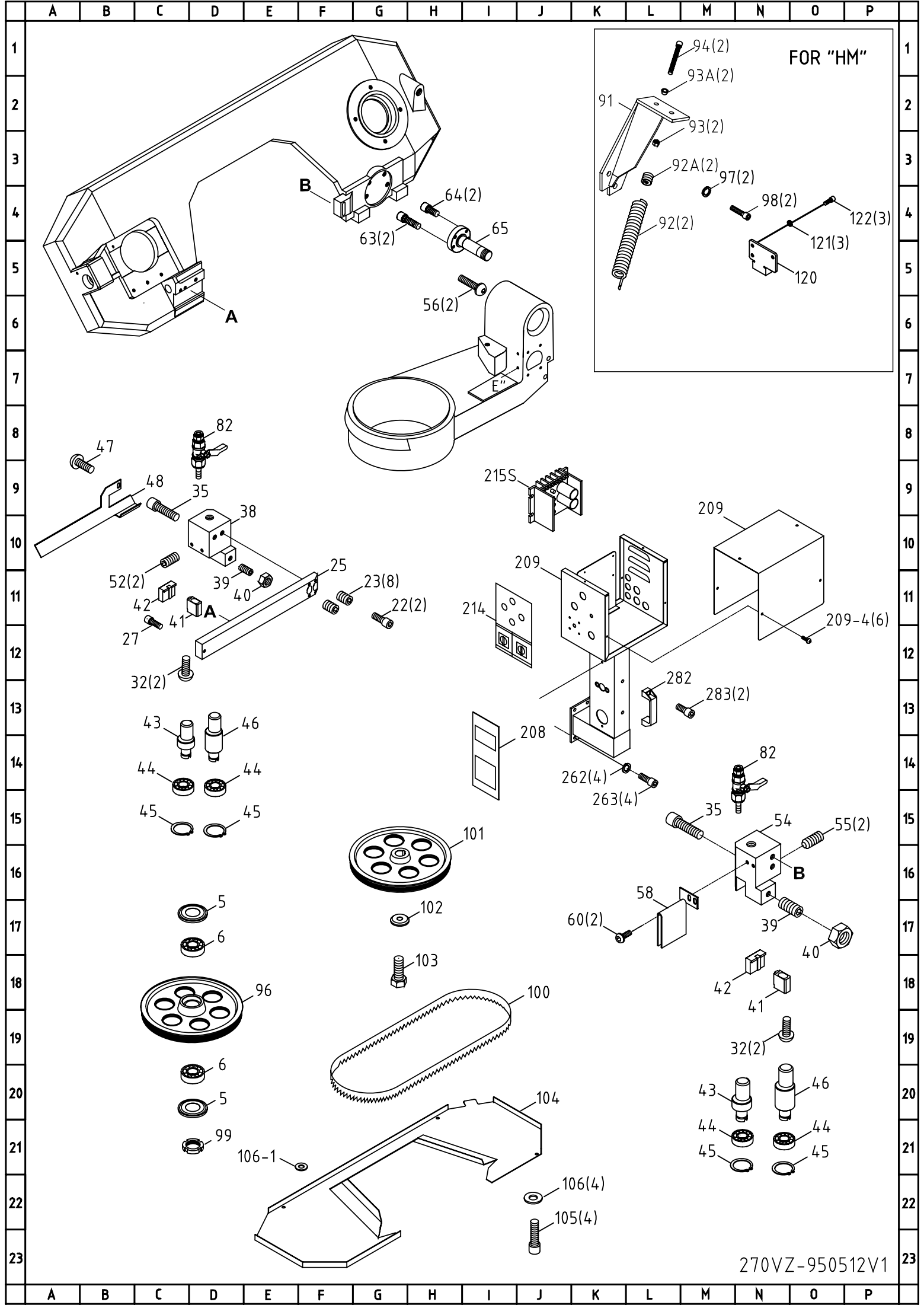
**PARTS LIST****MODEL NO. 270V,,,"HM" AND "HB" SYSTEM**

CODE NO	PART NO	DESCRIPTION	SPECIFICATION	QTY
217	121067M	Oil level gage		1
217-1	198190	Washer	19.5*26-2.2	1
218	HO042	O-Retainer Ring	ID170X5.7W	1
219	HW106	Spring Washer	M10	6
220	HS258	Hex. Socket Head Screw	M10X20L	6
221	198001M	Stand		1
221-1	198001P	Swivel Arm Base		1
222	121031	Filter		1
223	HS509	Cross Round Head Screw	M4X8L	2
224	HS064	Hex. Head Screw	M10X50L	1
224-1	HS074	Hex. Head Screw	M10X100L	1
225	HN006	Hex. Nut	M10	2
227	HS059	Hex. Head Screw	M10X25L	2
228	HW106	Spring Washer	M10	2
229	198041	Fixed Plate		1
230	HT003	Round Head Screw	M6X10L	4
231	HS261	Hex. Socket Head Screw	M10X35L	1
232	198038	Nut		1
233	198010	Adjustable Handle		1
234	HW023	Washer	M10	4
235	HS258	Hex. Socket Head Screw	M10X20L	4
240S	MGL216B-A	Cooling Pump Assembly	1/8HP,1相,440V,50Hz	1
241	HS229	Hex. Socket Head Screw	M6-1.0Px15L	2
242	HW104	Spring Washer	M6	2
243	HD608	Micro Control Block	3/8"x3/8"	1
245	HD804	PU Tube	φ8x1300L	1
248	198073T	Fluid Collected Plate		1
249	198054M	Feed Support		1
250S	198001FM	Stand Leg Set		1
250-1	198001FMA	Stand Leg (front)		2
250-2	198001FMB	Stand Leg(Right)(Left)		2
253	HS046	Hex. Head Screw	M8x20L	12
254	HW005	Washer	M8	24

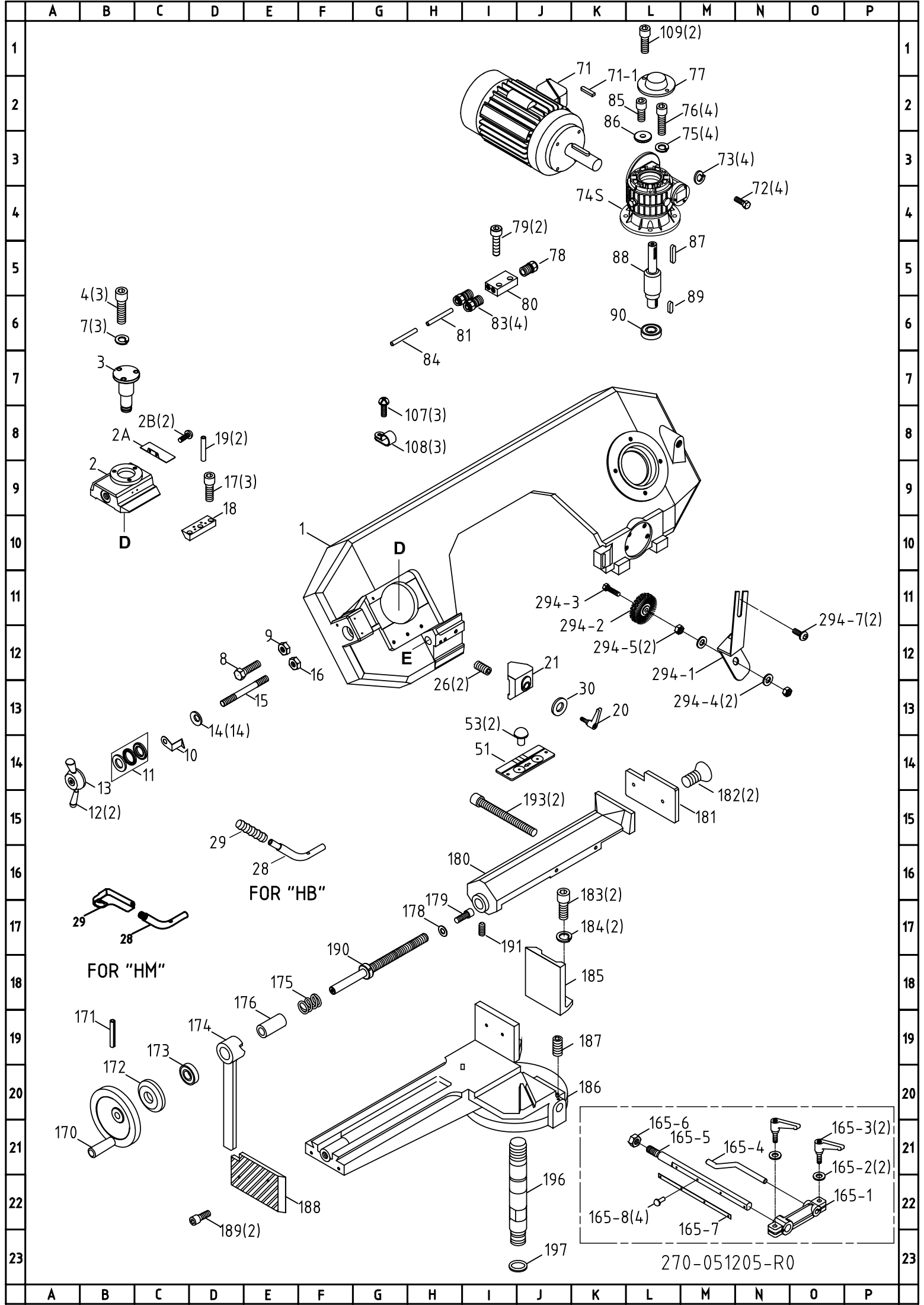
**PARTS LIST****MODEL NO. 270V,,, "HM" AND "HB" SYSTEM**

<b>CODE NO</b>	<b>PART NO</b>	<b>DESCRIPTION</b>	<b>SPECIFICATION</b>	<b>QTY</b>
255	HN005	Hex. Nut	M8	12
262	HW104	Washer	M6	2
263	HS228	Hex. Socket Head Screw	M6X12L	2
282	1965052	Knob		1
283	HS241	Hex. Socket Head Screw	M8X15L	2
294-1	198032B	Brush Support		1
294-2	181241C	Brush		1
294-3	HS036	Hex. Head Screw	M6x30L	1
294-4	HW016	Washer	ø6.5Xø18Xt1.5mm	2
294-5	HN004	Hex. Nut	M6	2
294-7	HT003	Hex. Socket Head Screw	M6X10L	2
298	HS264		M10X50L	1
298-1	HW006	Washer	M10X20Xt2	2
298-2	HN006	Hex. Nut	M10	1
300	198065A	Cylinder Assembly		1
301	HS325		M10X115L	1
304	HS229	Hex. Socket Head Screw	M6x15L	2
305	HW104	Spring Washer	M6	2
306	HW004	Washer	M6	2
307	HN004	Hex. Nut	M6	2
320	198083MG	Hose Clip		1
321	198083MH	Down Bracket		1
322	ET1615	Limit Switch		1
323	HS212	Hex. Socket Head Screw	M4X30L	2

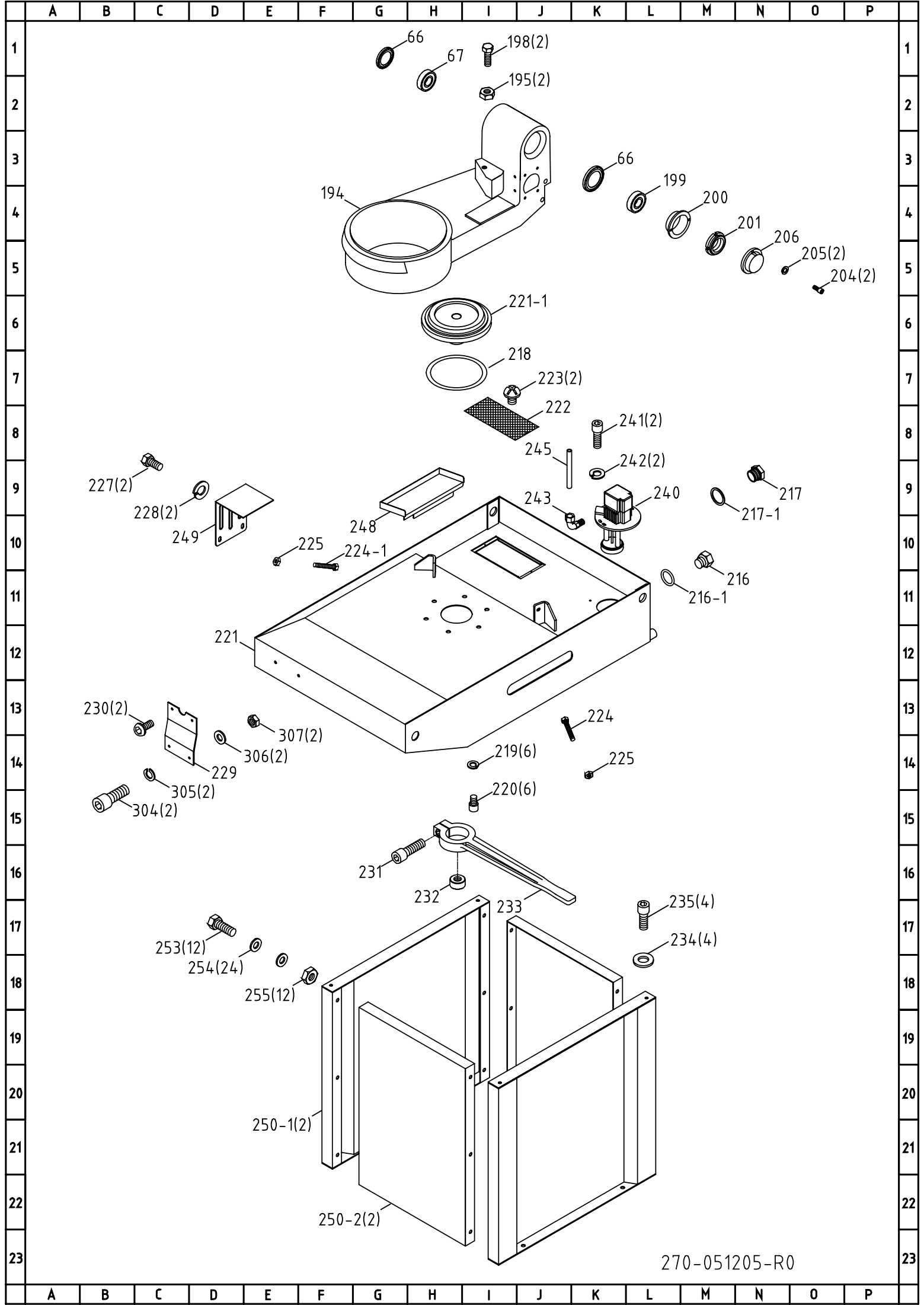








270-051205-R0



270-051205-R0