



www.Trajansaw.com

Trajan 812G
Cut Off Saw



Parts and Service Manual
Order Parts From
www.BandSawParts.com
713-884-1101

| PARTS LIST | | | | |
|---------------------|----------|----------------------------|-----------------|-----|
| MODEL NO. 812N&812G | | | | |
| CODE NO | PART NO | DESCRIPTION | SPECIFICATION | QTY |
| 1 | 195006B | Base | | 1 |
| 2S | 195016ES | Stand Complete Assembly | | 1 |
| 2-1 | 195016E | Coolant Pan | | 1 |
| 2-2 | 195016C2 | Leg(Right) | | 1 |
| 2-3 | 195016C3 | Leg(Left) | | 1 |
| 2-4 | 195051R | Panel | | 1 |
| 3 | 181114 | Vise Jaw Bracket(Front) | | 1 |
| 4 | W008 | Washer | 3/8"x25xt2 | 2 |
| 5 | S506 | Carriage Screw | 1/2"-12*2"L | 1 |
| 6 | S426 | Hex. Socket Head Screw | 3/8"-16*1-1/2"L | 1 |
| 7 | N001 | Hex. Nut | 1/2"-12 | 1 |
| 8 | W002 | Washer | 1/2"x28xt2 | 2 |
| 9 | S003 | Hex. Head Screw | 1/2"-12*2"L | 1 |
| 10 | 181113-4 | Vise Jaw Bracket(Rear) | | 1 |
| 11 | 181266 | Fixed Bolt | | 1 |
| 13 | 3027-1 | Knob | | 1 |
| 14 | 193057 | Knob | | 1 |
| 15 | HW007 | Washer | ∅12x23xt2 | 1 |
| 16 | 193055 | Pressure Lump | | 1 |
| 17 | S612 | Hex. Socker Headless Screw | 5/16"-18X1/2"L | 1 |
| 18 | 181138B | Acme Nut | | 1 |
| 19 | 192009A | Acme Screw | | 1 |
| 21 | 193056 | Pressure Shaft | | 1 |
| 22 | S064 | Hex. Head Screw | 5/16"-18*5/8"L | 2 |
| 23 | W018 | Washer | 5/16"x23xt3 | 2 |
| 24 | 195023B | Down Bracket | | 1 |
| 25 | S014 | Hex. Head Screw | 3/8"-16*1-3/4"L | 1 |
| 26 | S015 | Hex. Head Screw | 3/8"-16*2"L | 1 |
| 27 | W013 | Washer | 3/8"x20xt2 | 1 |
| 28 | HB810 | Nut | 3/8"-16 | 2 |
| 29 | 290086 | Plastic Round Knob | | 1 |
| 30 | 193059 | Knob W/Shaft | | 1 |
| 37 | 195058 | Packing | | 4 |
| 50 | 195068 | Stop Block | | 1 |
| 51 | 181130 | Thumb Screw | | 1 |
| 52 | 195067 | Stock Stop Rod | | 1 |
| 53 | S022 | Hex. Head Screw | 5/16"-18*3/4"L | 1 |

| PARTS LIST | | | | |
|---------------------|---------|----------------------------|-----------------|-----|
| MODEL NO. 812N&812G | | | | |
| CODE NO | PART NO | DESCRIPTION | SPECIFICATION | QTY |
| 54 | S632 | Hex. Socker Headless Screw | 1/4"-20*5/8"L | 1 |
| 55 | 195024 | Cylinder Lower Support | | 1 |
| 56 | S013 | Hex. Head Screw | 3/8"-16*1-1/4"L | 2 |
| 57 | W013 | Washer | 3/8"x20xt2 | 2 |
| 58 | CA51101 | Bearing | | 1 |
| 59 | 193063 | Washer | | 1 |
| 60 | 193058 | Spring | | 1 |
| 61 | 195066 | Support Rod | | 1 |
| 62 | 195027 | Bushing | | 1 |
| 63 | W002 | Washer | 1/2"x28xt2 | 2 |
| 64 | N016 | Net | 1/2"-12 | 2 |
| 70 | S014 | Hex. Head Screw | 3/8"-16x1-3/4"L | 1 |
| 72 | N005 | Hex. Nut | 3/8"-16 | 1 |
| 75 | ET2108 | Wire Nipple | 5/8" | 1 |
| 76 | 191106 | Filter | | 1 |
| 77 | S006 | Hex. Head Screw | 1/4"-20*1/2"L | 1 |
| 81 | S708 | Cross Round Head Screw | 3/16"x3/8"L | 2 |
| 82 | W007 | Washer | 3/16"x12xt0.8 | 2 |
| 83 | 181012 | Scale | | 1 |
| 84 | 195045 | Spring | | 1 |
| 85 | 181118 | Spring Adjusting Screw | | 1 |
| 86 | S022 | Hex. Head Screw | 5/16"-18*3/4"L | 1 |
| 87 | W016 | Washer | 5/16"x23xt2 | 1 |
| 88 | 181115 | Spring Handle Bracket | | 1 |
| 89 | W014 | Washer | 3/8"x23xt2 | 1 |
| 90 | N005 | Hex. Nut | 3/8"-16 | 2 |
| 93 | S476 | Hex. Socket Head Screw | 3/8"-16*1-1/4"L | 3 |
| 93-1 | W204 | Spring Washer | 3/8"-16 | 3 |
| 96 | 195002 | Rear Pivot Bracket | | 1 |
| 98 | S601 | Hex. Socker Headless Screw | 1/4"-20*1/2"L | 1 |
| 99 | 195010A | Cylinder Upper Support | | 1 |
| 100 | 195047 | Shaft | | 1 |
| 101 | S010 | Hex. Head Screw | 3/8"-16*1"L | 2 |
| 102 | W008 | Washer | 3/8"x25xt2 | 2 |
| 103 | 181304B | Cylinder Complete Set | | 1 |
| 105 | S717 | Cross Round Head Screw | 1/4"-20*5/8"L | 2 |
| 106 | W004 | Washer | 1/4"x19xt1.5 | 2 |

| PARTS LIST | | | | |
|---------------------|----------|----------------------------|-----------------------|-----|
| MODEL NO. 812N&812G | | | | |
| CODE NO | PART NO | DESCRIPTION | SPECIFICATION | QTY |
| 107S | | pump | | 1 |
| 108 | 195057 | Coupler | PT3/8x1/4" | 1 |
| 109 | 181981 | Hose | 0D12xID8x2000 | 1 |
| 110 | 181601 | Hose Clip | 5/8" | 3 |
| 111 | S708 | Cross Round Head Screw | 3/16"x3/8"L | 3 |
| 113 | W014 | Washer | 3/8"x23xt2 | 2 |
| 114 | S476 | Hex. Socket Head Screw | 3/8"-16x1-1/4"L | 2 |
| 118 | 181854 | Hose | OD16xID13x260 | 1 |
| 119S | 181256S | Coolant Tank | | 1 |
| 126 | W019 | Washer | 5/8"x40xt3 | 6 |
| 127 | 181129 | Wheel | | 2 |
| 128 | HP210 | Cotter Pin | ϕ3x25L | 2 |
| 129 | 195022B | Wheel Rod | | 1 |
| 133 | N001 | Hex. Nut | 1/2"-12 | 2 |
| 134 | 195038 | Coaster of Stand | 1/2" | 2 |
| 137 | W013 | Washer | 3/8"x20xt2mm | 4 |
| 138 | S010 | Hex. Head Screw | 3/8"-16*1"L | 4 |
| 139 | 195021A | Kond W/Shaft | | 1 |
| 141 | HS423 | Hex. Socket Headless Screw | M6-1.0P*15L | 4 |
| 145 | 195039 | Bushing | | 1 |
| 146 | 195001 | Body Frame | | 1 |
| 147 | W204 | Spring Washer | 3/8"-16 | 4 |
| 148 | S013 | Hex. Head Screw | 3/8"-16*1-1/4"L | 4 |
| 149 | 195031 | Switch Cut Off Tip | | 1 |
| 150 | W017 | Washer | 5/16"x18xt1.5 | 1 |
| 151 | S019 | Hex. Head Screw | 5/16"-18*1-1/2"L | 1 |
| 152 | 195004A | Upper Bracket | | 1 |
| 153 | W205 | Spring Washer | 5/16"-18 | 2 |
| 154 | S207 | Hex. Head Screw | 5/16"-18X1/2"L | 2 |
| 155 | 181894 | Blade | 0.032"x3/4"x93"x6-10T | 1 |
| 155 | 181894-2 | Blade | 0.032"x3/4"x93"x6-10T | 1 |
| 156 | 181214-2 | Drive Wheel | | 1 |
| 157 | S601 | Hex. Socker Headless Screw | 1/4"-20*1/2"L | 1 |
| 158 | HCS13 | C-Retainer Ring | S25 | 1 |
| 159 | 195025 | Blade Back Cover | | 1 |
| 160 | W005 | Washer | 1/4"x16xt1.5 | 4 |
| 161 | 195083 | Knob | | 4 |

| PARTS LIST | | | | |
|---------------------|----------|-----------------------------|------------------|-----|
| MODEL NO. 812N&812G | | | | |
| CODE NO | PART NO | DESCRIPTION | SPECIFICATION | QTY |
| 161 | S402 | Hex. Socket Head Screw | 1/4"x1/2"L | 4 |
| 166A | 18123A | Idler Wheel Assembly | | 1 |
| 166-1 | 181205-2 | Idler Wheel | | 1 |
| 166-2 | 3072-2 | Bearing Cover | | 1 |
| 166-3 | W017 | Washer | 5/16"x18xt1.5 | 1 |
| 166-4 | S022 | Hex. Head Screw | 5/16"-18*3/4"L | 1 |
| 166-5 | S303 | Flat Cross Head Screw | 3/16"x3/8"L | 3 |
| 166-6 | 181207-1 | Bushing | | 1 |
| 166-8 | CA6202ZZ | Bearing | 6202ZZ | 2 |
| 166-9 | 181245 | Bushing | | 1 |
| 167 | 181306 | Bracket , For CE Only | | 1 |
| 168 | HS508 | Cross Round Head Screw | M4-0.7Px5L | 4 |
| 170 | 195063 | Tension Indication Plate | | 1 |
| 173A | 18122 | Shaft Assembly | | 1 |
| 173-1 | 181208 | Sliding Plate Draw Block | | 1 |
| 173-2 | 181209 | Blade Wheel Shaft | | 1 |
| 173-3 | HP013 | Pin | ∅4x22L | 1 |
| 176 | 181210 | Sliding Plate | | 2 |
| 177 | 181211 | Blade Tension Sliding Block | | 1 |
| 178 | S608 | Hex. Socker Headless Screw | 5/16"-18*3/4"L | 1 |
| 179 | S019 | Hex. Head Screw | 5/16"-18*1-1/2"L | 2 |
| 180 | W015 | Washer | 5/16"x12xt2 | 2 |
| 181 | S022 | Hex. Head Screw | 5/16"-18*3/4"L | 4 |
| 182 | W205 | Spring Washer | 5/16"-18 | 4 |
| 183 | 181212 | Spring | | 1 |
| 184 | W008 | Washer | 3/8"x25xt2 | 1 |
| 185 | 181213A | Blade Adjustable Knob | | 1 |
| 186 | S405 | Cross Round Head Screw | 1/4"-20*3/8"L | 1 |
| 187 | 195429 | Blade Cover | | 1 |
| 190S | 195432S | Blade Adjustable Assembly | | 1 |
| 190-1 | 195432 | Blade Adjustable | | 1 |
| 190-2 | 195434 | Adjustable Bracket (Front) | | 1 |
| 190-5 | HT018 | Button Head Screw | M8X25L | 2 |
| 190-6 | HS422 | Hex. Socker Headless Screw | M6-1.0P*10L | 2 |
| 190-7 | HS423 | Hex. Socker Headless Screw | M6-1.0P*15L | 2 |
| 190-8 | HN012 | Hex. Nut | M10-1.0P | 2 |
| 190-9 | HW106 | Spring Washer | M10 | 2 |

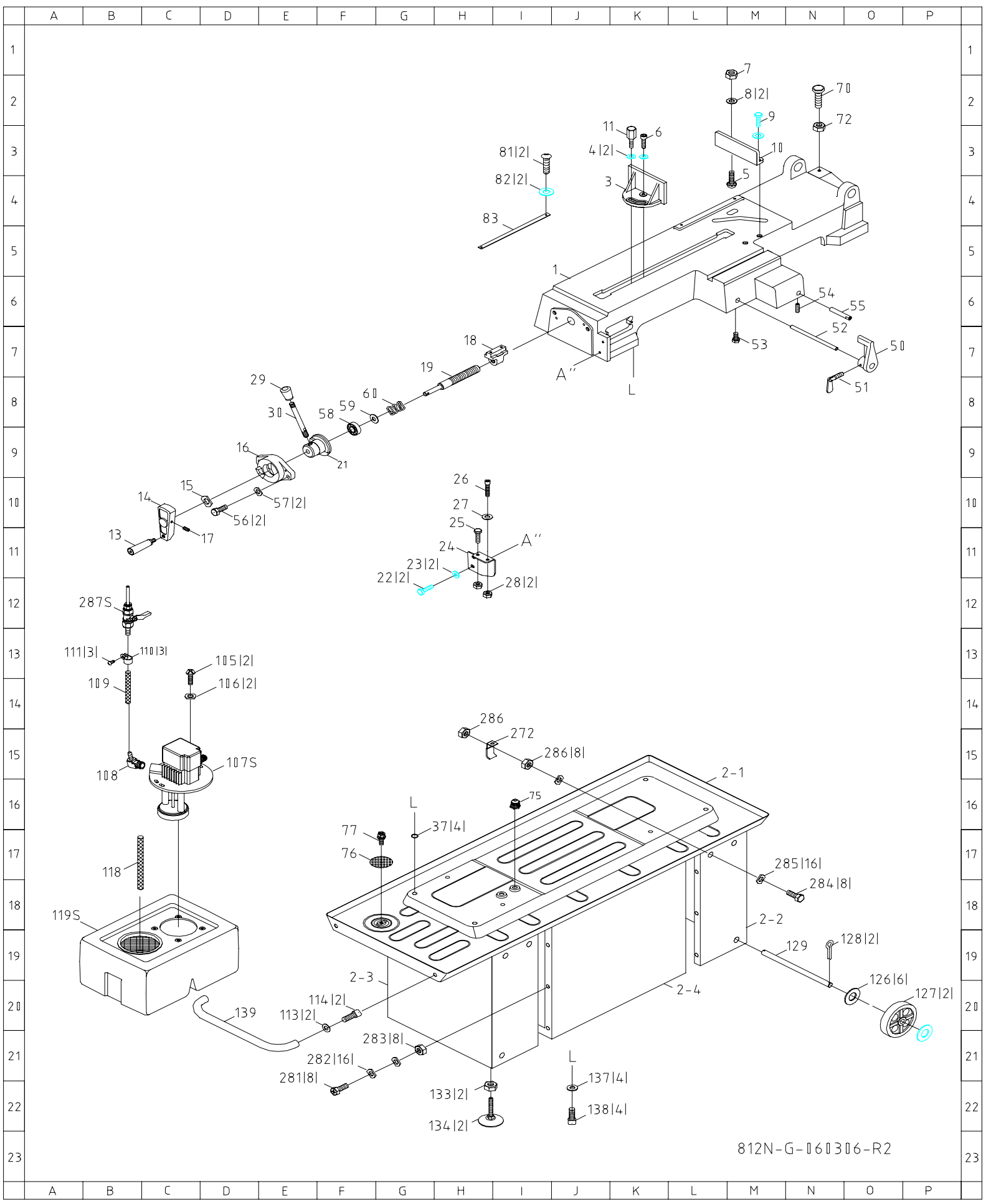
| PARTS LIST | | | | |
|---------------------|-----------|---------------------------------|-----------------|-----|
| MODEL NO. 812N&812G | | | | |
| CODE NO | PART NO | DESCRIPTION | SPECIFICATION | QTY |
| 190-10 | 103120A | Carbide Guide | | 2 |
| 190-11 | HT004 | Hex. Socket Head Screw | M6*16L | 2 |
| 190-12 | 121018N | Guide | | 1 |
| 191A | 121019NAS | Eccertric shaft Assembly | | 2 |
| 191-1 | 121019NA | Eccertric shaft | | 2 |
| 191-2 | CA608ZZ | Bearing | 608ZZ | 2 |
| 191-3 | HCS01 | C-Retaniner Ring | S10 | 2 |
| 192A | 121019NBS | Bearing Shaft Assembly | | 2 |
| 192-1 | 121019NB | Bearing Shaft | | 2 |
| 192-2 | CA608ZZ | Bearing | 608ZZ | 2 |
| 192-3 | HCS01 | C-Retaniner Ring | S10 | 2 |
| 193 | HS509 | Cross Round Head Screw | M4-0.7Px10L | 2 |
| 194 | HW003 | Washer | M5 | 2 |
| 195 | 195061 | Switch Base | | 1 |
| 196 | 195041 | Grip | | 1 |
| 197 | W008 | Washer | 3/8"x25xt2 | 1 |
| 198S | 195035CS | Brush Assembly | | 1 |
| 198-1 | 195035C | Brush Support | | 1 |
| 198-2 | 181241C | Brush | | 1 |
| 198-3 | HS036 | Hex. Head Screw | M6x30L | 1 |
| 198-4 | HW016 | Washer | ø6.5Xø18Xt1.5mm | 2 |
| 198-5 | HN004 | Hex. Nut | M6 | 2 |
| 200 | S405 | Cross Round Head Screw | 1/4"-20*3/8"L | 2 |
| 201 | W005 | Washer | 1/4"x16xt1.5mm | 2 |
| 202S | 195432S | Blade Adjustable Assembly(Rear) | | 1 |
| 202-1 | 195433 | Blade Adjustable (Rear) | | 1 |
| 202-5 | HN012 | Hex. Nut | M10-1.0P | 2 |
| 202-6 | HW106 | Spring Washer | M10 | 2 |
| 202-13 | 103120A | Carbide Guide | | 2 |
| 202-14 | HT004 | Hex. Socket Head Screw | M6*16L | 2 |
| 202-15 | 121018N | Guide | | 1 |
| 205 | HT018 | Button Head Screw | M8X25L | 2 |
| 211 | S022 | Hex. Head Screw | 5/16"-18x3/4"L | 4 |
| 212 | W016 | Washer | 5/16"x23xt2 | 4 |
| 213 | 181233A | Motor Mount Bracket | | 1 |
| 214 | W018 | Washer | 5/16"x23xt3 | 2 |
| 215 | S022 | Hex. Head Screw | 5/16"-18x3/4"L | 2 |

| PARTS LIST | | | | |
|---------------------|-----------|------------------------------|----------------|-----|
| MODEL NO. 812N&812G | | | | |
| CODE NO | PART NO | DESCRIPTION | SPECIFICATION | QTY |
| 216 | S504 | Carriage Screw | 5/16"-18x3/4"L | 4 |
| 217 | 181234A | Motor Mount Plate | | 1 |
| 218 | S017 | Hex. Head Screw | 5/16"-18x1"L | 2 |
| 219 | N007 | Hex. Nut | 5/16"-18 | 2 |
| 220 | | Motor | | 1 |
| 221 | W016 | Washer | 5/16"x23x2 | 4 |
| 222 | N007 | Hex. Nut | 5/16"-18 | 4 |
| 223 | S604 | Hex. Socker Headless Screw | 1/4"-20x3/8"L | 1 |
| 224 | 181235 | Motor Pulley | | 1 |
| 225 | K008 | Key | 5x5x30L | 2 |
| 226 | S201 | Cross Socker Hex. Head Screw | 1/4"x1/2"L | 2 |
| 227 | W004 | Washer | 1/4"x19xt1.5 | 2 |
| 228 | 181237I | Motor Pulley Cover | | 1 |
| 229 | W005 | Washer | 1/4"x16xt1.5 | 1 |
| 230 | S201 | Cross Socker Hex. Head Screw | 1/4"-20x1/2"L | 3 |
| 230 | 3058 | Plum handle | | 1 |
| 244S | 18138 | Worm Gear Shaft Assembly | | 1 |
| 244-1 | 181223 | Worm Shaft | | 1 |
| 244-2 | K008 | Key | 5x5x30L | 1 |
| 244-3 | CA6003LLU | Bearing | 6003LLU | 2 |
| 244-4 | 181224 | Bearing Bushing | | 1 |
| 244-5 | C002 | C-Retaniner Ring | R17 | 1 |
| 245S | 18121 | Gear Box Assembly | | 1 |
| 245-1 | 181216A | Gear Box | | 1 |
| 245-2 | 3149 | Vent Plug | M8xP1 | 1 |
| 245-3 | S202 | Cross Socker Hex. Head Screw | 1/4"-20x5/8"L | 4 |
| 245-4 | 181222-1 | Gear Box Cover | | 1 |
| 245-5 | 3092 | Gear Box Gasket | | 1 |
| 245-6 | HCS13 | C-Retaniner Ring | S25 | 1 |
| 245-7 | HK025 | Key | 6x6x20L | 1 |
| 245-8 | 181220-1 | Worm Gear | | 1 |
| 245-9 | 181218-1 | Bushing | | 1 |
| 245-10 | CA6205LLU | Bearing | 6205LLU | 2 |
| 245-11 | 181217-1 | Bushing | | 1 |
| 245-12 | 181219-1 | Transmission Wheel Shaft | | 1 |
| 245-14 | 181246 | Bearing Cover | | 1 |
| 245-15 | S708 | Cross Round Head Screw | 3/16"x3/8"L | 3 |

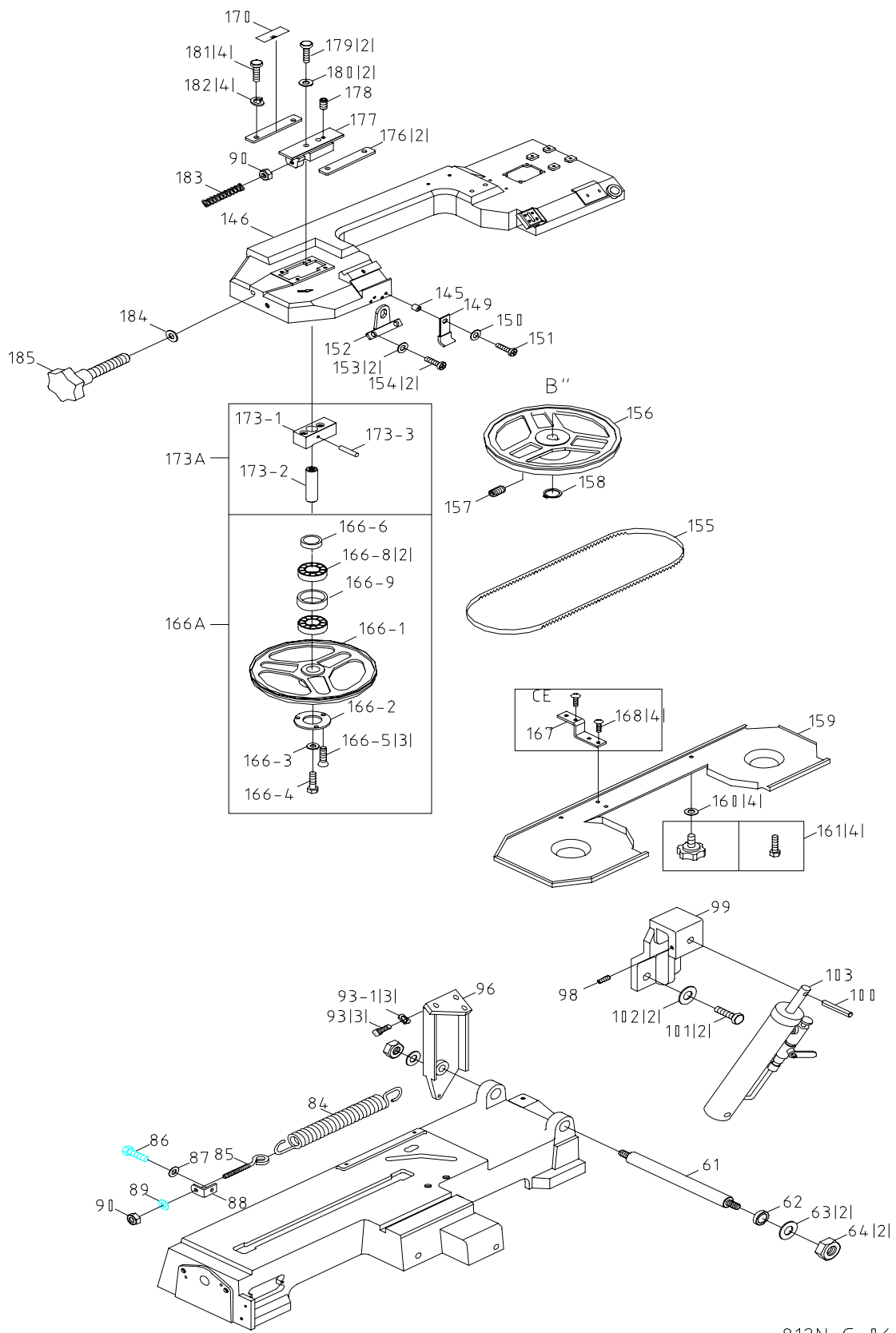
| PARTS LIST | | | | |
|---------------------|---------|----------------------------|---------------|-----|
| MODEL NO. 812N&812G | | | | |
| CODE NO | PART NO | DESCRIPTION | SPECIFICATION | QTY |
| 245-16 | S609 | Hex. Socker Headless Screw | 5/16"x3/8"L | 1 |
| 246 | 181237D | Cover | | 1 |
| 254 | 181226B | Spindle Pulley | | 1 |
| 255 | S604 | Hex. Socker Headless Screw | 1/4"-20x3/8"L | 2 |
| 266 | 181874 | Belt | 3Vx270 | 1 |
| 272 | 195084 | Cable Clamp | | 2 |
| 281 | S208 | Hex. Head Screw | 1/4"X1/2"L | 8 |
| 282 | W005 | Washer | 1/4"x16xt1.5 | 16 |
| 283 | N003 | Hex. Nut | 1/4"-20 | 8 |
| 284 | S010 | Hex. Head Screw | 3/8"-16*1"L | 8 |
| 285 | W013 | Washer | 3/8"x20xt2 | 16 |
| 286 | N005 | Hex. Nut | 3/8"-16 | 9 |
| 287S | 195071S | Valve Assembly | | 1 |
| 300 | | Motor | | 1 |
| 300-1 | HK110 | Key | 5x5x30L | 1 |
| 300-2 | HS059 | Hex. Head Screw | M10x25L | 4 |
| 300-3 | HW106 | Spring Washer | M10 | 4 |
| 300-4 | ET2111 | Cable Gland | PG13.5 | 2 |
| 300-5 | ET2904 | Screw On Wire Connector | Y3 | 4 |
| 310S | | Box Assemble | | 1 |
| 345 | 181991A | Emergency Switch Bracket | | 1 |
| 345 | 181998A | Control Base | | 1 |
| 345 | 181969 | Control Box Base | | 1 |
| 345 | 181970 | Control Box Base | | 1 |
| 348 | S727 | Cross Round Head Screw | M6x12L | 4 |
| 351 | HS228 | Hex. Socket Head Screw | M6-1.0Px10L | 2 |
| 750S1 | ET1615S | Switch Ass | | 1 |
| 750-1 | S708 | Cross Round Head Screw | 3/16"x3/8"L | 2 |
| 750-2 | ET1931 | Switch COVER | | 1 |
| 750-3 | 181431 | Rubber Plate | | 1 |
| 750-4 | ET1615 | Switch | MJ1308R | 1 |
| 750-5 | HN002 | Hex. Nut | M4 | 2 |
| 750-6 | HW305 | Washer | M4 | 4 |
| 750-7 | HS513 | Cross Round Head Screw | M4-0.7Px30L | 2 |
| 750-8 | ET1201 | cover | CB2 | 1 |
| 750-9 | HS511 | Cross Round Head Screw | M4-0.7Px20L | 2 |
| 750S2 | ET1403S | Toggle Switch Assembly | | 1 |

| PARTS LIST | | | | |
|---------------------|-----------|-----------------------------|---------------|-----|
| MODEL NO. 812N&812G | | | | |
| CODE NO | PART NO | DESCRIPTION | SPECIFICATION | QTY |
| 750-1 | 181932 | Toggel Switch Cover | | 1 |
| 750-2 | 3131B | Switch Cover | | 1 |
| 750-3 | ET1403 | Toggle Switch Assembly | | 1 |
| | | Switch indicator | For 1HP Only | |
| | | Hex. Nut | | |
| 750-3 | 181933 | Toggle Switch Assembly | | 1 |
| | | Switch indicator | For 3HP Only | |
| | | Hex. Nut | | |
| 750-4 | S804 | Screw | 3/16"x3/8"L | 2 |
| 750-5 | ET1931 | Cover | | 1 |
| 750-6 | 181431 | Rubber Plate | | 1 |
| 750-7 | ET1930 | Electrical Box | | 1 |
| 750-8 | S807 | Screw | 5/32"x1/8"L | 2 |
| 750-9 | ET2108 | Wire Nipple | 5/8" | 2 |
| 750-10 | ET2107 | Wire Nipple | 1/2" | 2 |
| 750S3 | ET1617S | Switch (For CE Only) | | 1 |
| 750-1 | S708 | Cross Round Head Screw | 3/16"x3/8"L | 2 |
| 750-2 | 181989-1 | Switch Bracket(For CE Only) | | 1 |
| 750-3 | ET1617 | Switch (For CE Only) | | 1 |
| 750-4 | S708 | Cross Round Head Screw | 3/16"x3/8"L | 2 |
| 800S | 192321G4S | Gear Box | G4 | 1 |
| 800-1 | 192321G4 | Gear Box | | 1 |
| 800-2 | 192322G4 | Gear Box Cover | | 1 |
| 800-3 | 192324 | Speed-Changing Gear Shaft | | 1 |
| 800-4 | 2450079 | Speed Lever | | 1 |
| 800-5 | 2450080 | Spring | | 1 |
| 800-6 | HB001 | Steel Ball | φ8 | 1 |
| 800-7 | 192327A | Speed Indicator Dial | | 1 |
| 800-8 | HS244 | Hex. Socket Head Screw | M5x28L | 1 |
| 800-9 | 192325 | Worm Shaft | | 1 |
| 800-10 | 192309 | Speed-Changing Rod | | 1 |
| 800-11 | 2450083A | Speed-Changing Key | | 1 |
| 800-12 | 2450084B | Twisted Spring | | 1 |
| 800-13 | HP006 | Pin | φ3x10L | 2 |
| 800-14 | 192329 | Gear | | 1 |
| 800-15 | 192330 | Gear | | 1 |
| 800-16 | 192331 | Gear | | 1 |

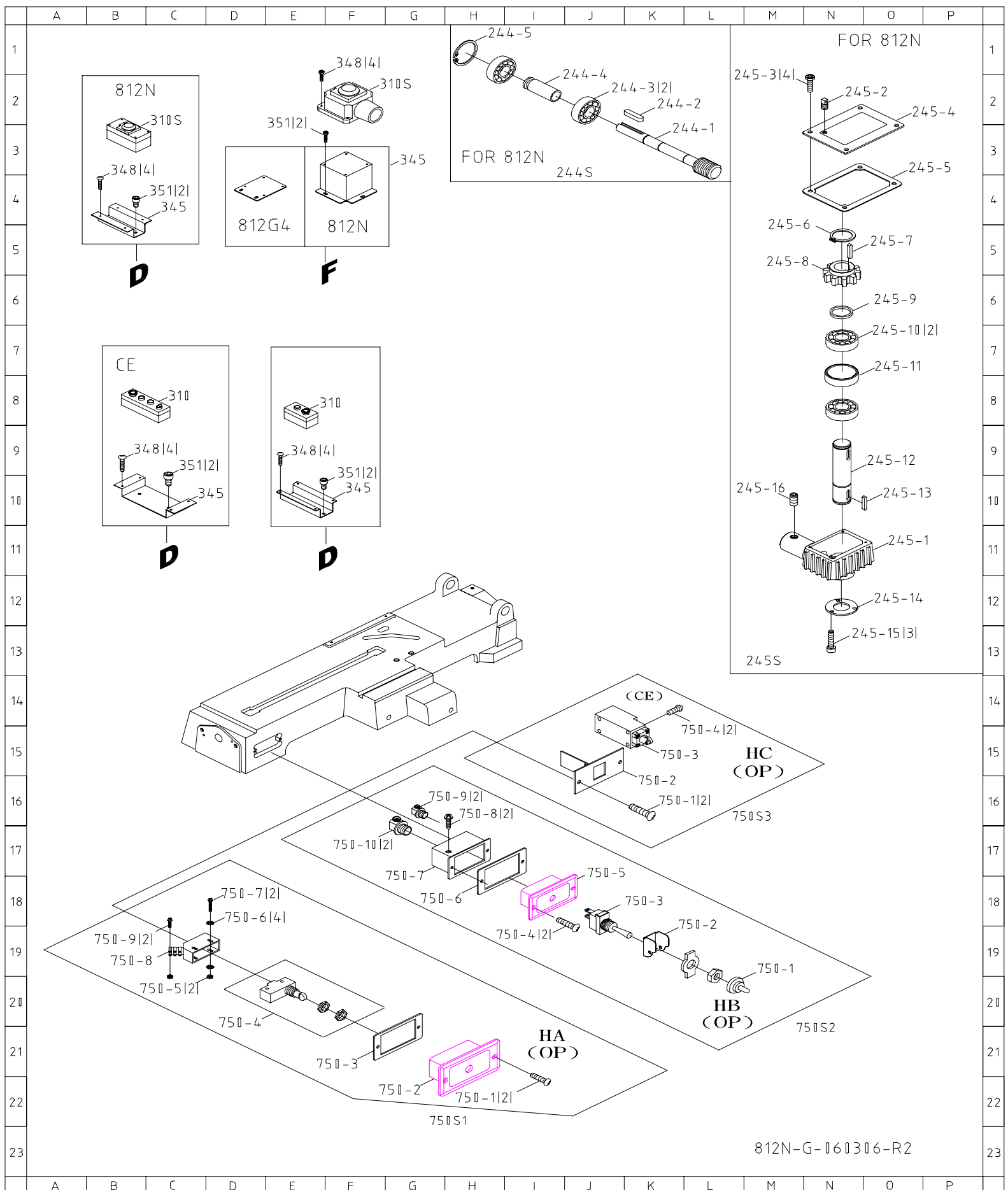
| PARTS LIST | | | | |
|---------------------|-----------|----------------------------|---------------|-----|
| MODEL NO. 812N&812G | | | | |
| CODE NO | PART NO | DESCRIPTION | SPECIFICATION | QTY |
| 800-17 | 2450074A | Washer | | 4 |
| 800-18 | 2450089A | Bushing Bracket | | 1 |
| 800-19 | HCR04 | C-Retainer Ring | R35 | 2 |
| 800-20 | HS421 | Hex. Socket Headless Screw | M6x6L | 2 |
| 800-21 | CA6003LLB | Bearing | 6003LLB | 2 |
| 800-22 | 192328 | Cover | | 1 |
| 800-23 | 192332 | Gear Shaft | | 1 |
| 800-24 | 192333 | Gear | | 1 |
| 800-25 | 192334 | Gear | | 1 |
| 800-26 | 192335 | Gear | | 1 |
| 800-27 | HK095 | Key | 5x5x32L | 1 |
| 800-28 | HCS06 | C-Retainer Ring | S17 | 2 |
| 800-29 | CA6003LLB | Bearing | 6003LLB | 1 |
| 800-30 | CA6007LLB | Bearing | 6007LLB | 1 |
| 800-31 | HCR08 | C-Retainer Ring | R62 | 1 |
| 800-33 | HG004 | Oil Seal | φ62xφ35x8 | 1 |
| 800-37 | 192336 | Drive Gear Shaft | | 1 |
| 800-38 | 192337 | Worm Gear | | 1 |
| 800-39 | HCS13 | C-Retainer Ring | S25 | 2 |
| 800-40 | HK025 | Key | 6x6x20L | 2 |
| 800-41 | CA6205LLB | Bearing | 60205LLB | 2 |
| 800-42 | 192340 | Bearing Spacer | | 1 |
| 800-43 | 192339 | Cover | | 1 |
| 800-44 | HO041 | O-Retainer Ring | φ35Xφ29x3 | 2 |
| 800-45 | HT017 | Round Head Screw | M5X12L | 3 |
| 800-46 | HD106 | Plug | PT3/8" | 1 |
| 800-47 | HS230 | Hex. Socket Head Screw | M6x20L | 4 |
| 800-48 | 3149 | Vent Plug | | 1 |
| 800-49 | | Scale | | 1 |
| 800-50 | HH001 | Rivet | φ2X4 | 2 |
| 800-51 | 181246 | Bearing Cover | | 1 |
| 800-52 | HS519 | Cross Round Head Screw | M5x10L | 3 |
| 800-53 | 192338B | Gear Box Gasket | | 1 |
| 800-54 | HD103 | Plug | PT1/4" | 1 |
| 800-55 | HB203 | Oil level gage | φ19 | 1 |
| 800-56 | HO046 | O-Retainer Ring | P16 | 1 |
| 800-57 | HCR24 | C-Retainer Ring | R20 | 1 |

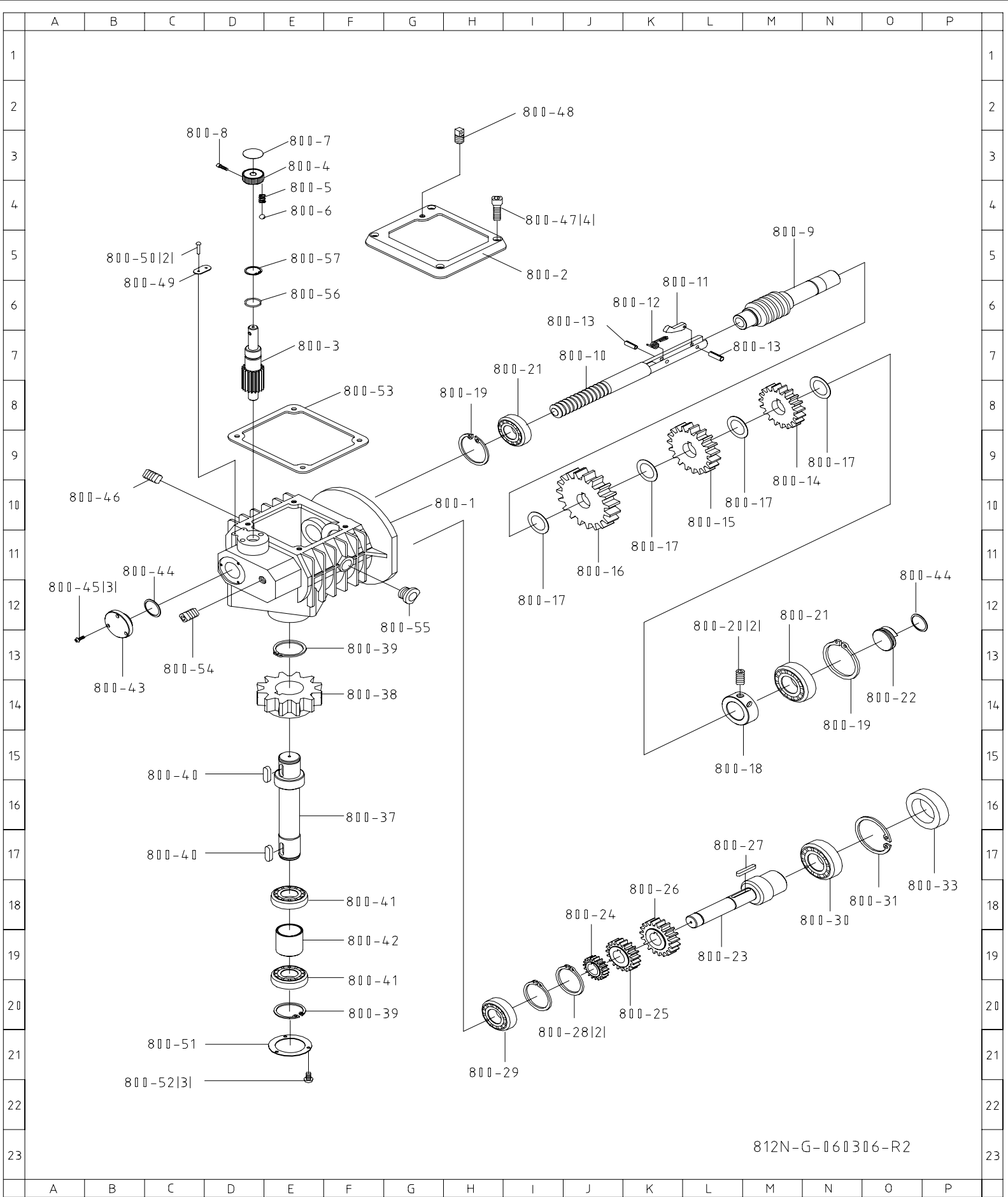


812N-G-060306-R2



812N-G-060306-R2





812N-G-060306-R2